

XEROX.

# Quick Use Guide



Phaser® 6130



printer

Printer Tour

Supported Papers

Basic Printing

Troubleshooting



More Information

[www.xerox.com/office/6130support](http://www.xerox.com/office/6130support)

- [Printer drivers and utilities](#)
- [User manuals and instructions](#)
- [Online Support Assistant](#)
- [Safety specifications](#) (in *User Guide*)

[www.xerox.com/msds](http://www.xerox.com/msds) (U.S./Canada)

[www.xerox.com/environment\\_europe](http://www.xerox.com/environment_europe)

Material Safety Data Sheets

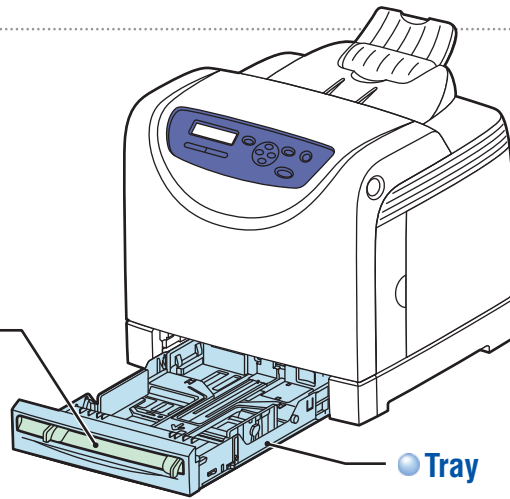
[www.xerox.com/office/  
businessresourcecenter](http://www.xerox.com/office/businessresourcecenter)

Templates, tips, and tutorials



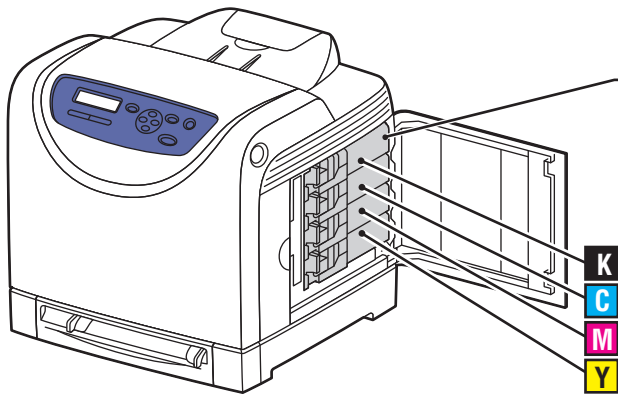
# Printer Tour

● Manual Feed Slot

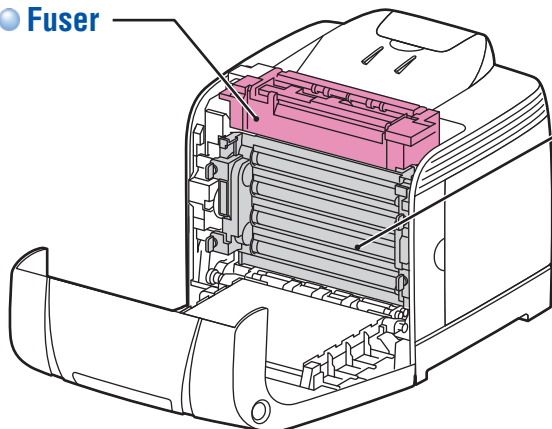


● Tray

● Toner Cartridges



● Fuser

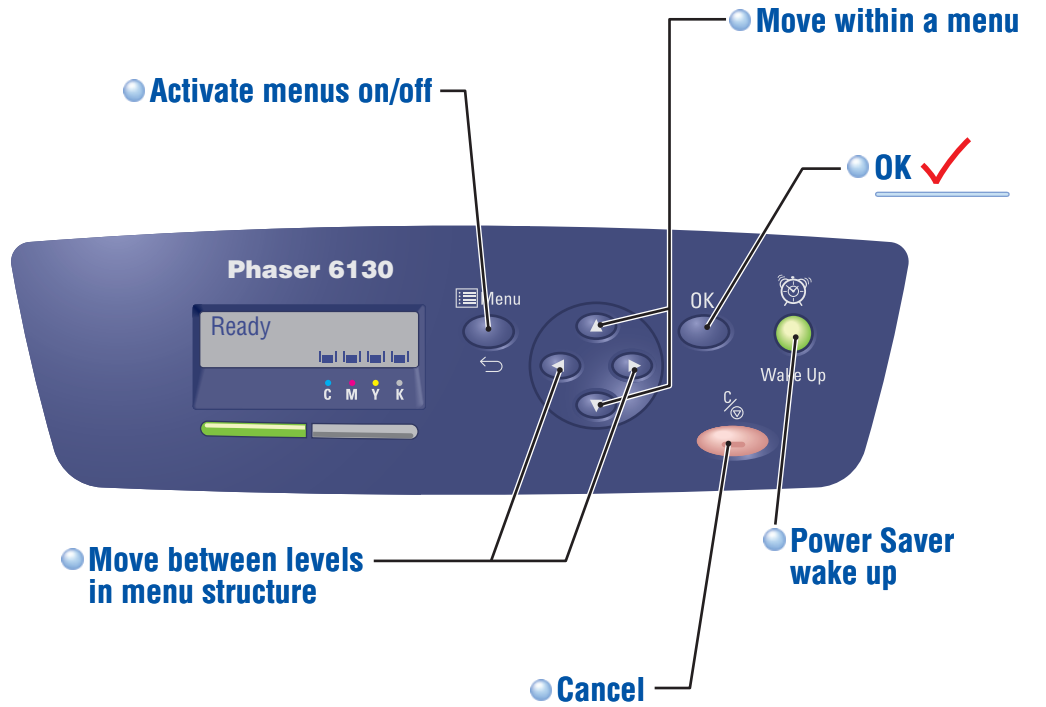


● Imaging Unit

● Activate menus on/off

● Move within a menu

● OK ✓



● Move between levels in menu structure

● Cancel

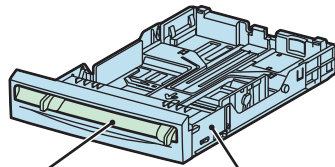
● Power Saver wake up

For ordering supplies, contact your local reseller, or visit the **Xerox Supplies** website.

[www.xerox.com/office/6130supplies](http://www.xerox.com/office/6130supplies)

[www.xerox.com/office/6130support](http://www.xerox.com/office/6130support)

# Supported Papers



## Manual Feed Slot

**65 – 220 g/m<sup>2</sup>**  
(17 lb. Bond – 80 lb. Cover)

	<b>Letter</b> .....	8.5 x 11.0 in.
	<b>Legal</b> .....	8.5 x 14.0 in.
	<b>Executive</b> .....	7.25 x 10.5 in.
	<b>Folio</b> .....	8.5 x 13.0 in.
	<b>#10 Commercial</b> .....	4.1 x 9.5 in.
	<b>Monarch</b> .....	3.8 x 7.5 in.
	<b>A4</b> .....	210 x 297 mm
	<b>A5</b> .....	148 x 210 mm
	<b>DL</b> .....	110 x 220 mm
	<b>C5</b> .....	162 x 229 mm
	<b>Letter</b> .....	8.5 x 11.0 in.
	<b>A4</b> .....	210 x 297 mm

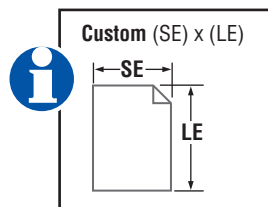
**Custom** ..... (SE) x (LE)  
SE: 76.2 – 216 mm (3.0 – 8.5 in.)  
LE: 127 – 355.6 mm (5.0 – 14.0 in.)  
B5 JIS .....

## Tray

**65 – 220 g/m<sup>2</sup>**  
(17 lb. Bond – 80 lb. Cover)

	<b>Letter</b> .....	8.5 x 11.0 in.
	<b>Legal</b> .....	8.5 x 14.0 in.
	<b>Executive</b> .....	7.25 x 10.5 in.
	<b>Folio</b> .....	8.5 x 13.0 in.
	<b>#10 Commercial</b> .....	4.1 x 9.5 in.
	<b>Monarch</b> .....	3.8 x 7.5 in.
	<b>A4</b> .....	210 x 297 mm
	<b>A5</b> .....	148 x 210 mm
	<b>DL</b> .....	110 x 220 mm
	<b>C5</b> .....	162 x 229 mm
	<b>Letter</b> .....	8.5 x 11.0 in.
	<b>A4</b> .....	210 x 297 mm

**Custom** ..... (SE) x (LE)  
SE: 76.2 – 216 mm (3.0 – 8.5 in.)  
LE: 127 – 355.6 mm (5.0 – 14.0 in.)  
B5 JIS .....



● **When loading paper: Select the correct type and size on the control panel.**

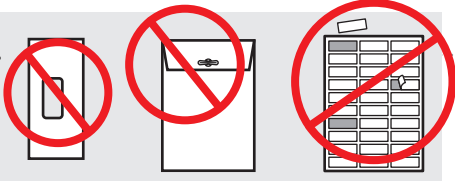


<b>65-120 g/m<sup>2</sup></b> (17-32 lb. Bond)	<b>Plain Paper</b>
<b>100-163 g/m<sup>2</sup></b> (28 lb. Bond – 60 lb. Cover)	<b>Thin Card Stock</b>
<b>160-220 g/m<sup>2</sup></b> (60-80 lb. Cover)	<b>Thick Card Stock</b>
<b>100-160 g/m<sup>2</sup></b> (28 lb. Bond – 60 lb. Cover)	<b>Glossy Paper</b>
<b>160-220 g/m<sup>2</sup></b> (60-80 lb. Cover)	<b>Thick Glossy Paper</b>

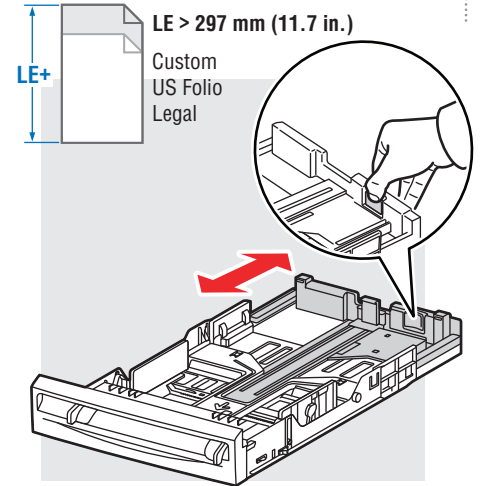
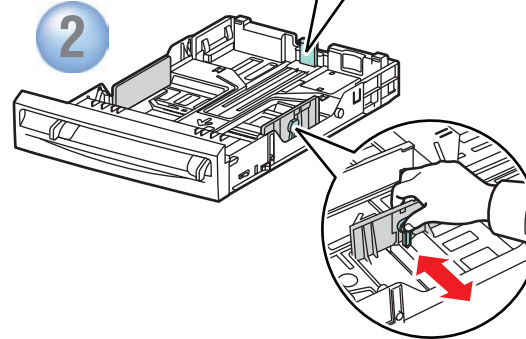
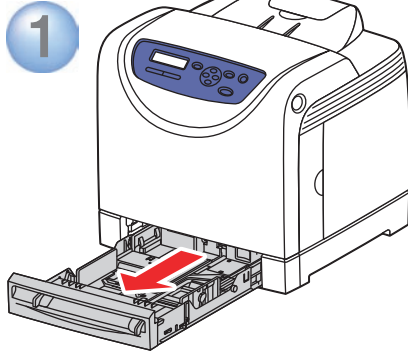
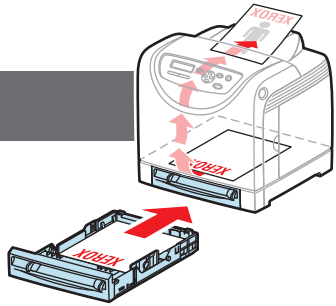
● **When Printing: Select properties. Use Xerox printer driver.**



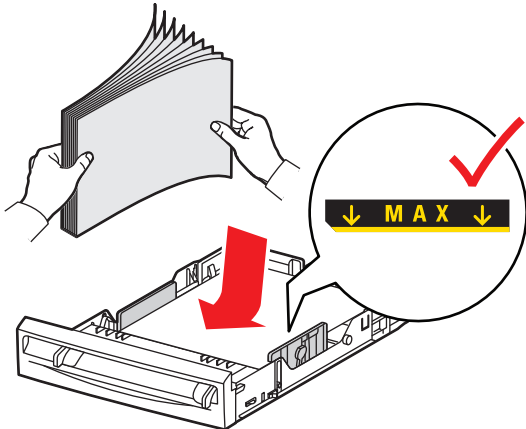
# Basic Printing



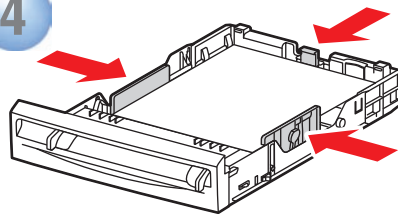
Tray  
Faceup



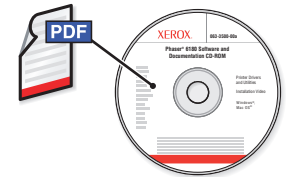
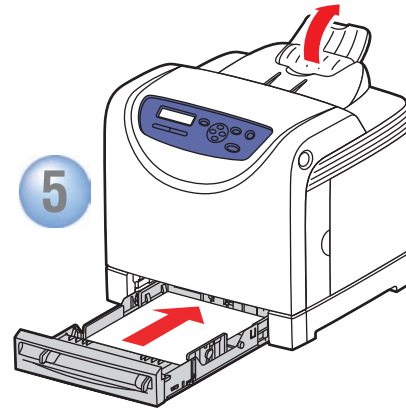
3



4

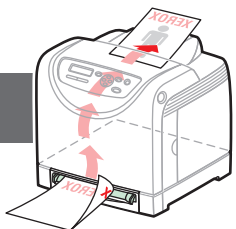


5

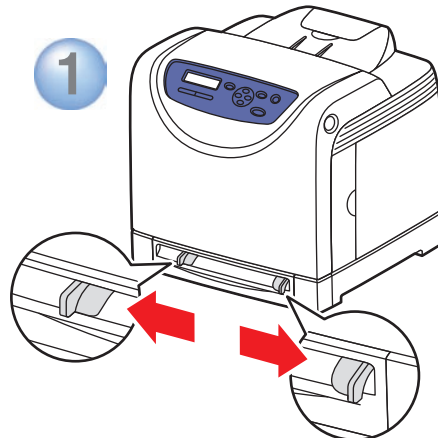


• See **Printing Basics** in the *User Guide* for more information.

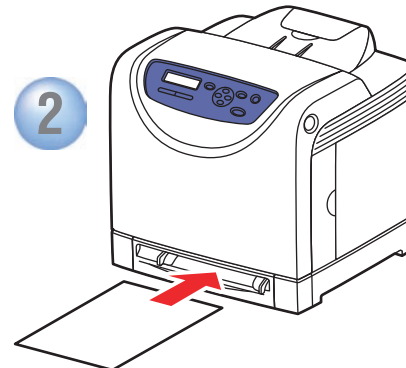
Manual Feed Slot  
Facedown



1



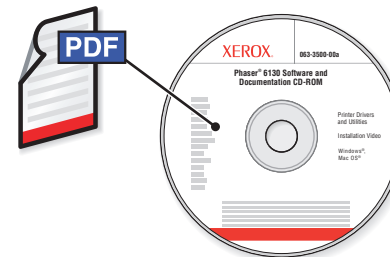
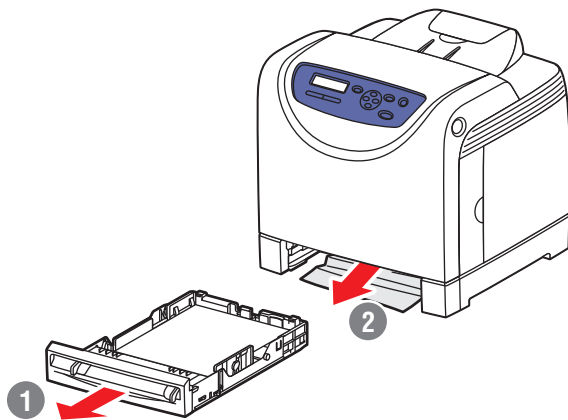
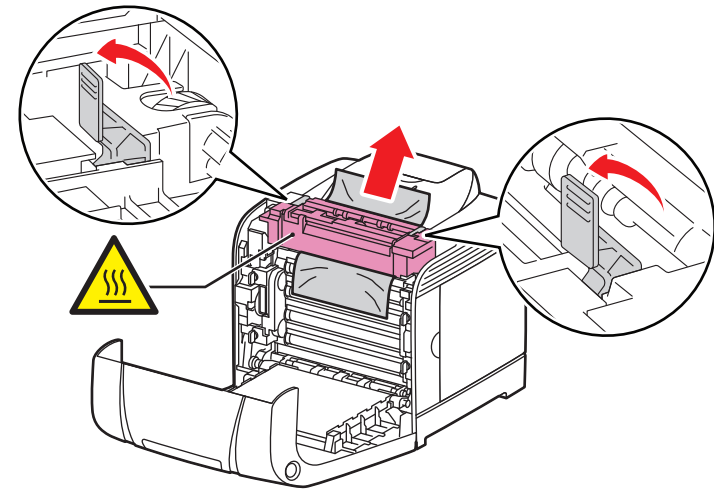
2



# Troubleshooting



## ● Paper Jams



Also see [Print Quality](#) and [Troubleshooting](#) chapters in the *User Guide* for more information on:

- [Print-quality problems](#)
- [Color registration](#)
- [Error messages](#)