

Phaser[®] 8400 Quick Exchange Printer

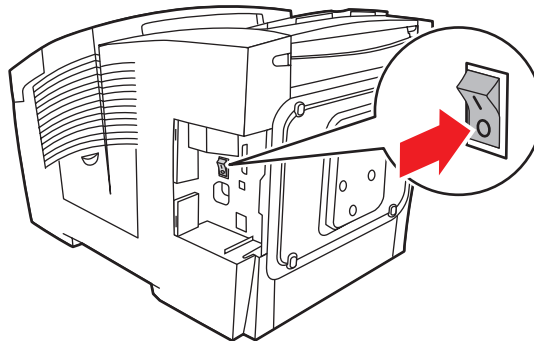
Read Me First

Summary of Printer Exchange Process

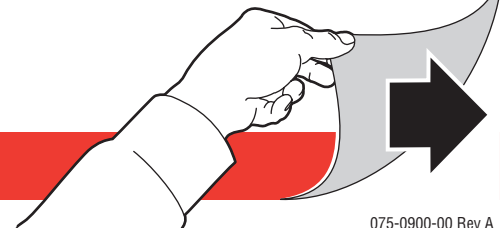
1. Turn off printer. Wait about 60seconds for printer to completely shut down before unplugging the printer.
2. Unpack replacement printer.
3. Move maintenance kit and waste tray from old printer to new printer.
4. Remove paper from old printer and install in new printer.
5. Remove ink from old printer and instrall in new printer.
6. Remove Network configuration card from old printer. Install Network configuration card into new printer.
7. If you have a DX or DP model printer, remove your optional memory from the old printer and install it into the new printer.
8. If you have a DX model printer, remove your optional Hard Drive from the old printer and install it into the new printer.
9. Repack the old printer. (Wait 30 minutes for printer's ink to solidify.)
10. Complete the shipping label provided.
11. Contact Airborne.



Caution Wait 30 minutes after turning the old printer off, before moving the printer or you may spill ink inside the printer.

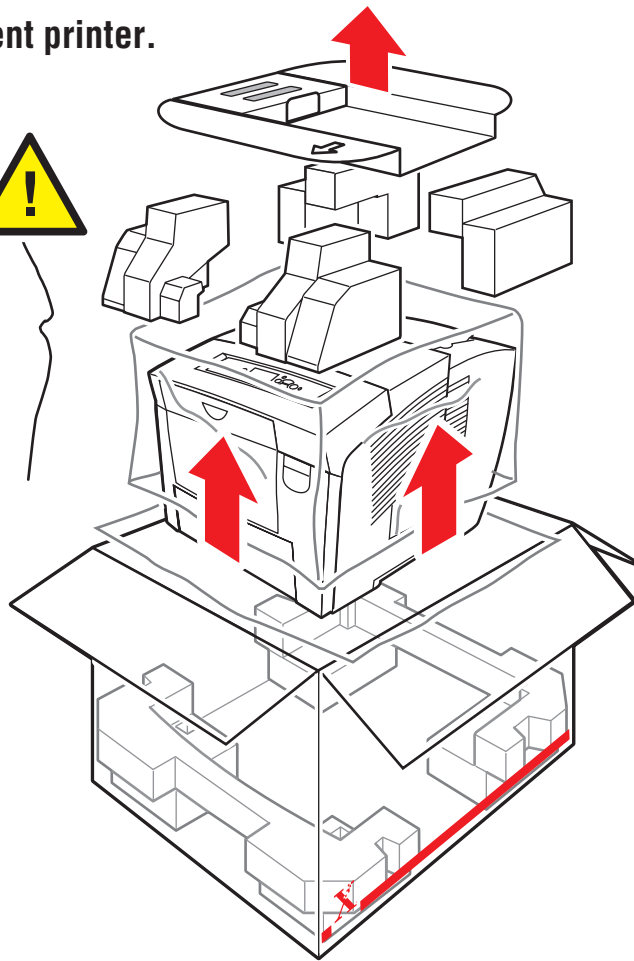


00:30:00

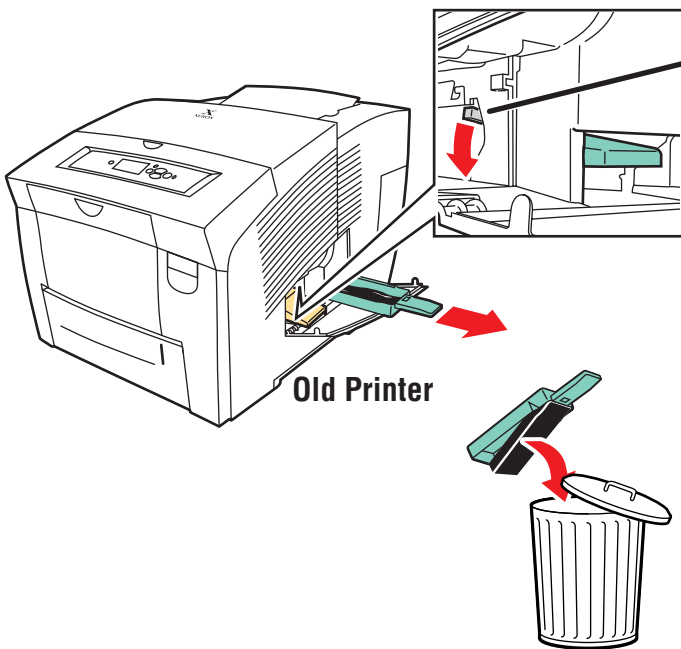


Unpack the new replacement printer.

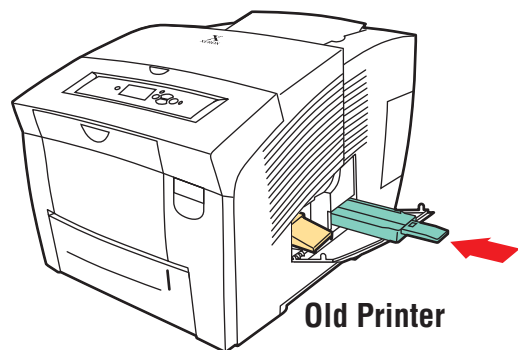
28 kg
60 lbs.



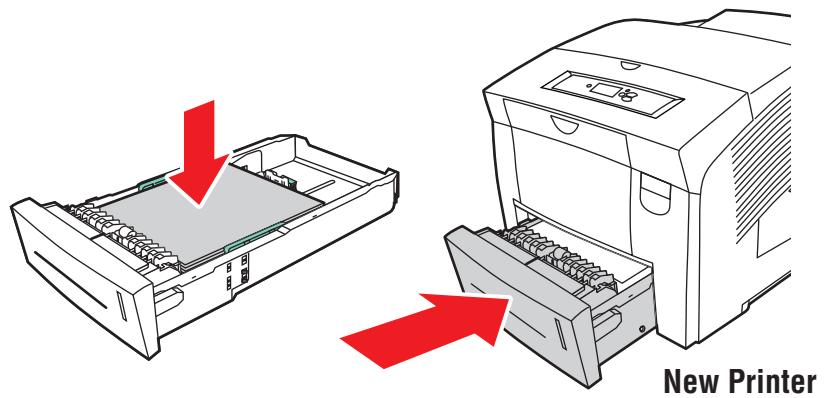
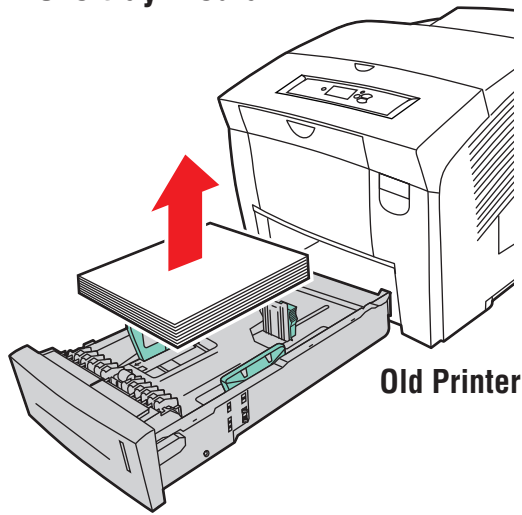
Empty the Waste Tray.



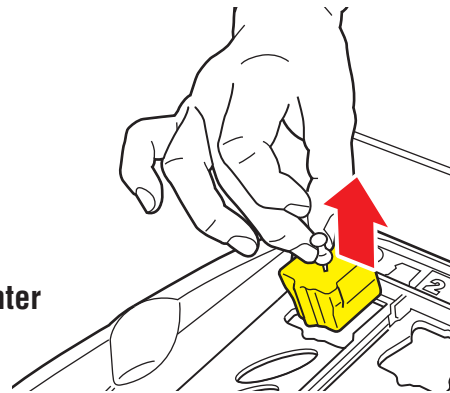
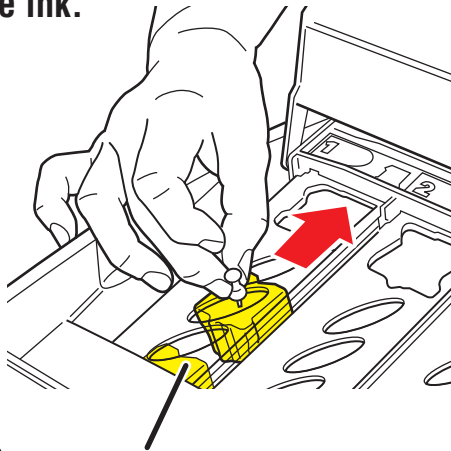
If the waste tray seems stuck,
remove the orange Maintenance kit
and press the white release button.



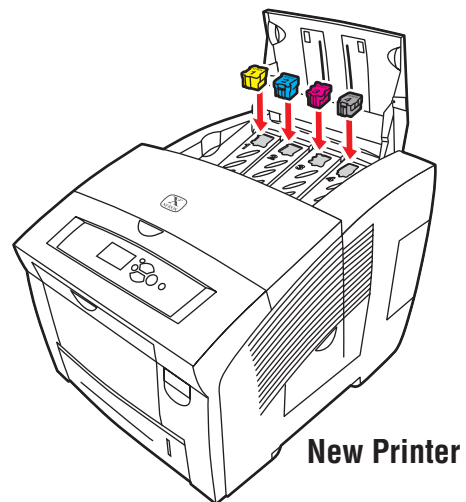
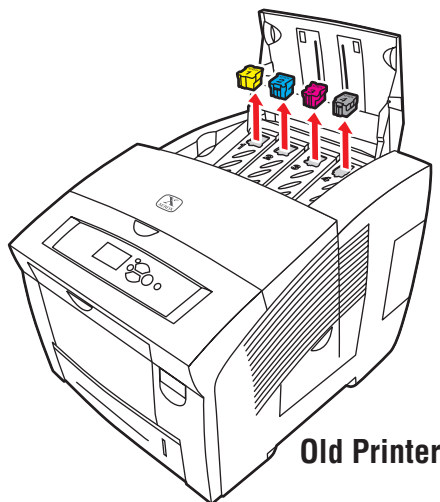
Move tray media.



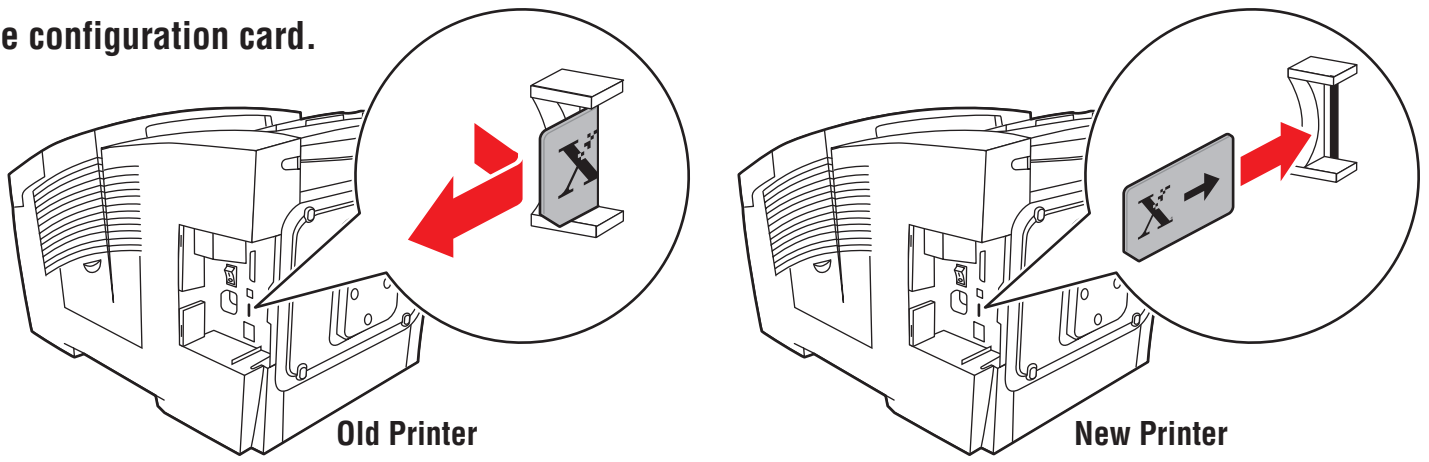
Move ink.



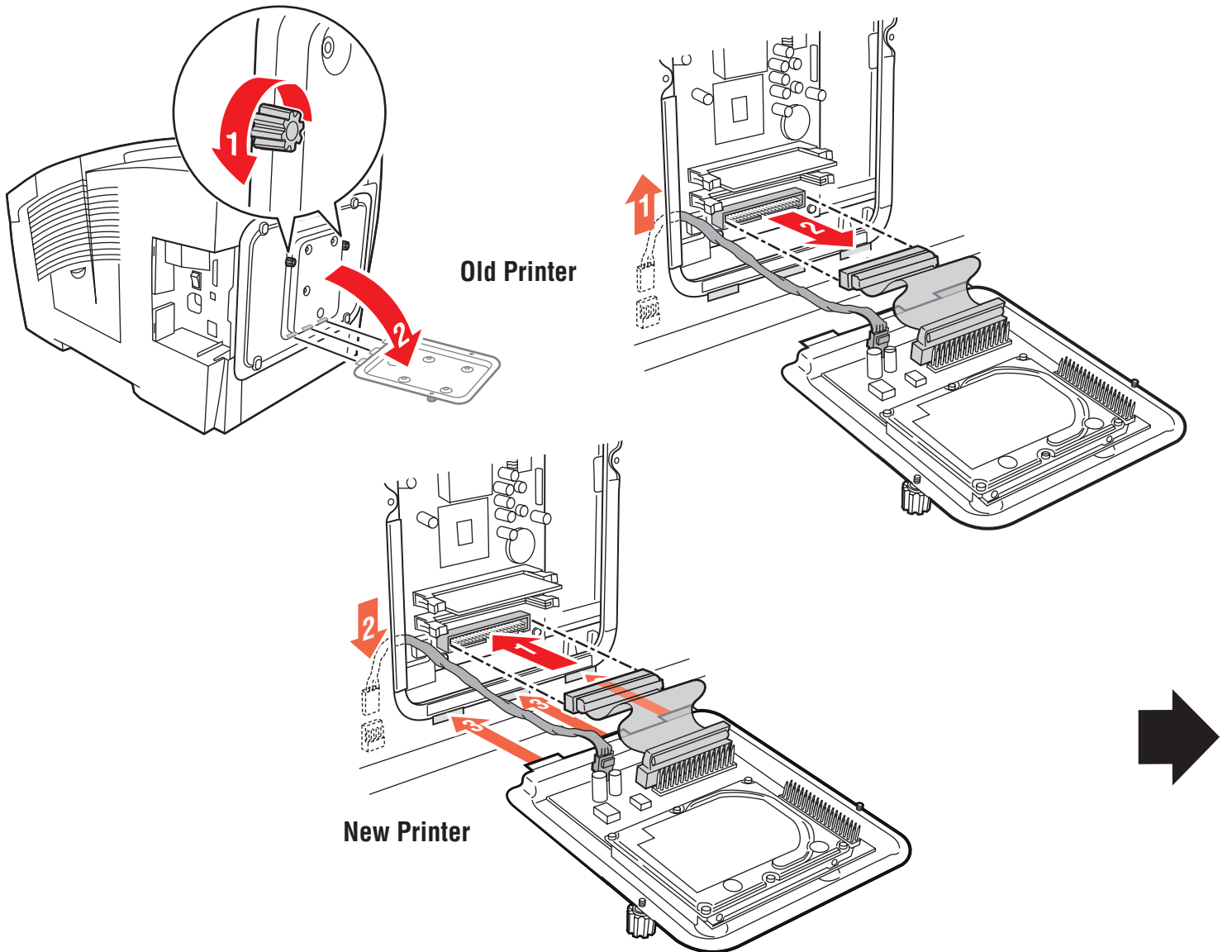
Do not remove the last ink stick. You can damage the printer. The ink stick is bonded to the ink melter. Your new printer already has this ink stick.



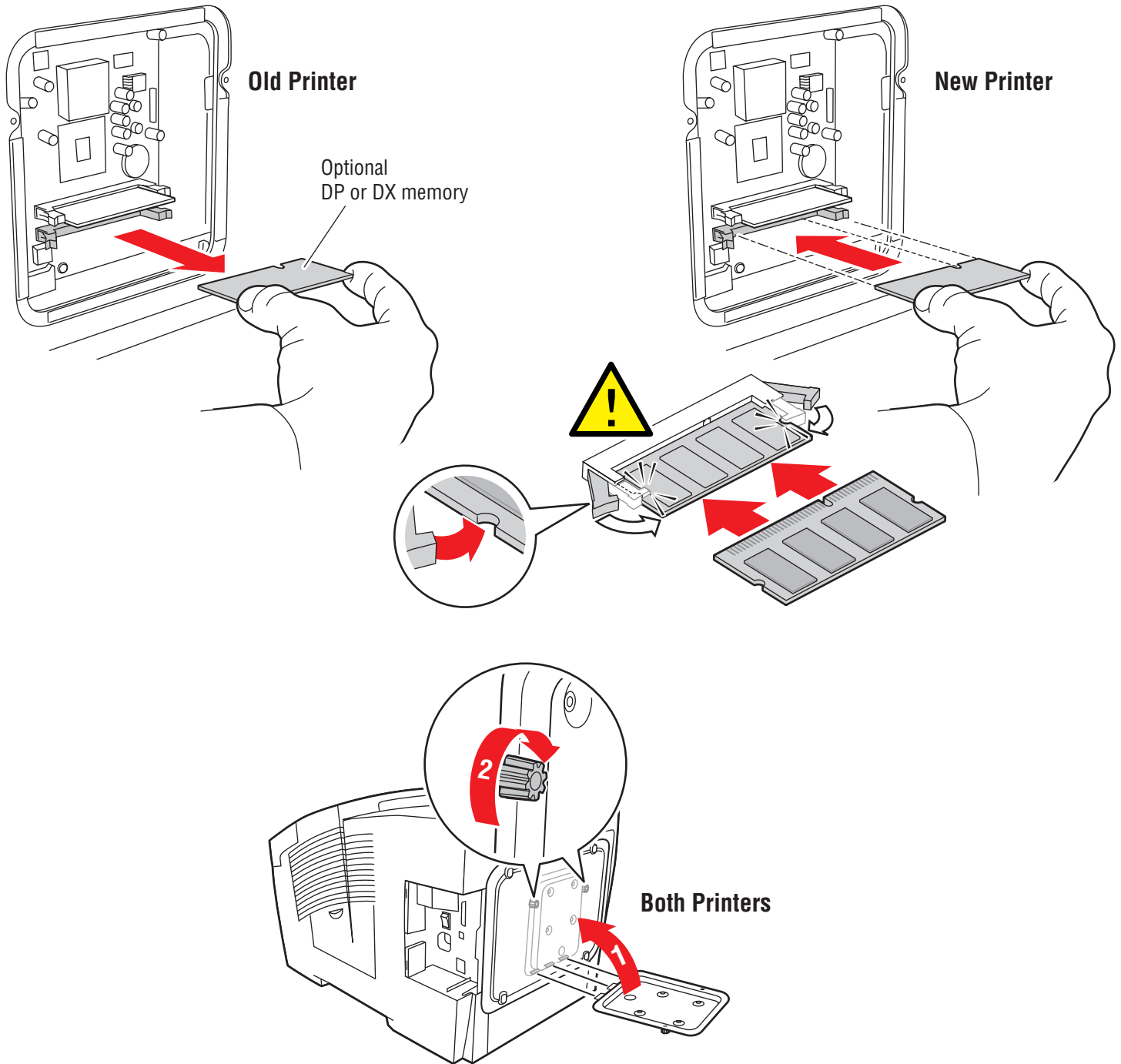
Move configuration card.



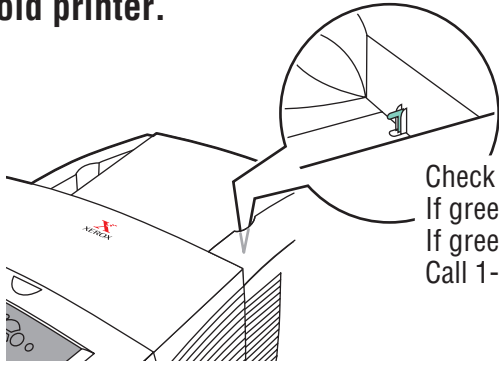
Move optional Hard Drive (DX printer model only).



Move optional second RAM Memory DIMM (DX and DP printer model only).



Repack the old printer.



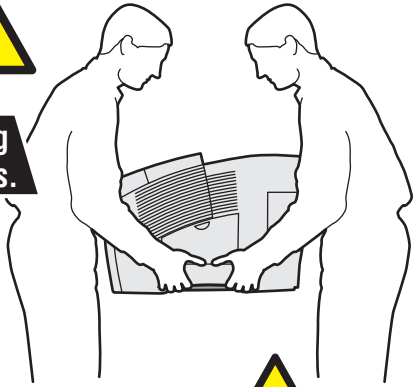
Check Head Lock indicator.

If green flag is popped up, printer is safe to ship.

If green flag is **not** popped up, **do not ship** the printer.
Call 1-800-835-6100.



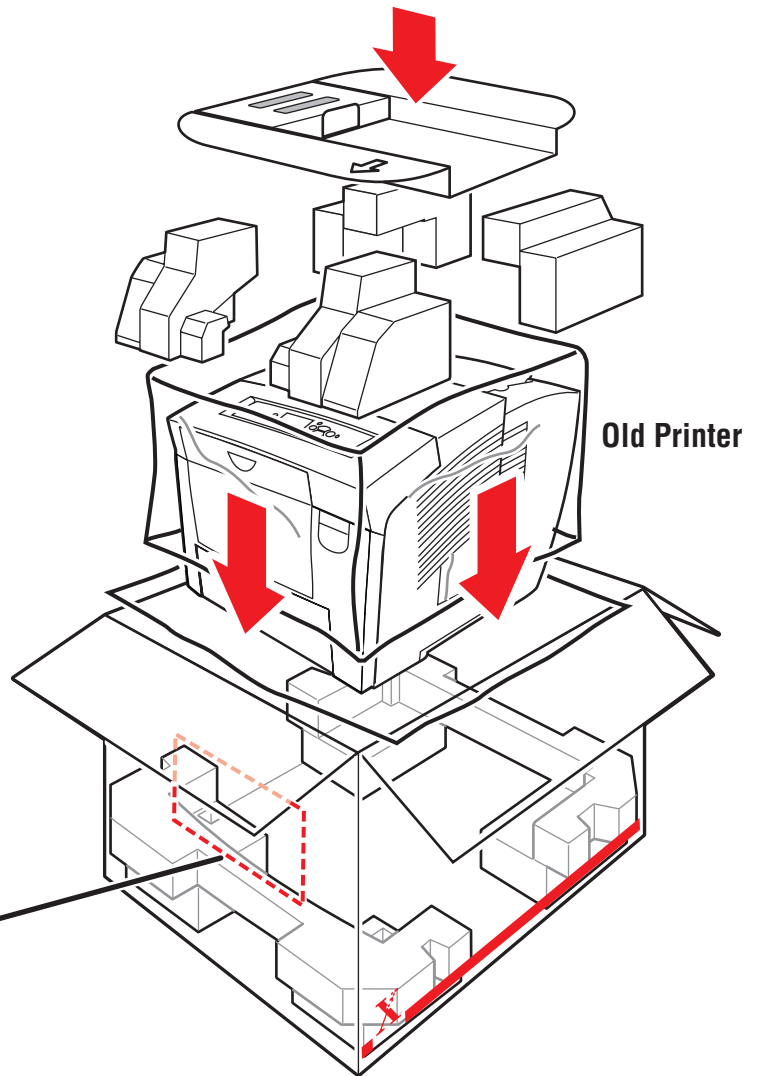
28 kg
60 lbs.



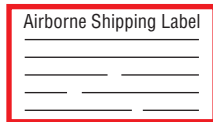
Caution



Wait 30 minutes after turning the printer off or you may spill ink inside.



Apply the shipping label.



Call Airborne for pickup. **1-800-AIRBORNE**
(1-800-247-2676)

Please return the old printer to Xerox **within 10 working days** or you will be charged the cost of the printer.